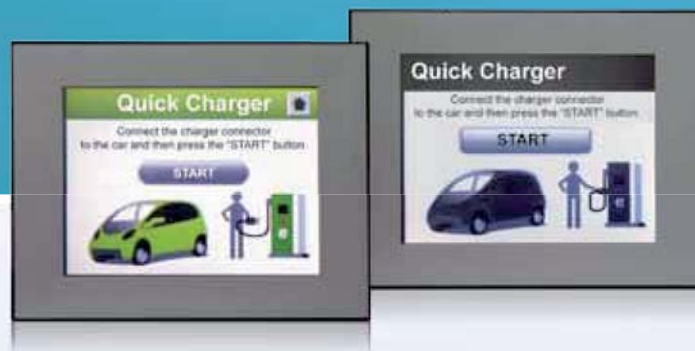




GT32-E Series



Extensive application range

- -20°C to +60°C

Excellent legibility

- Improved brightness and contrast, non-reflecting display

UV protection

- A protective layer on the front minimizes UV-related aging processes

IP67

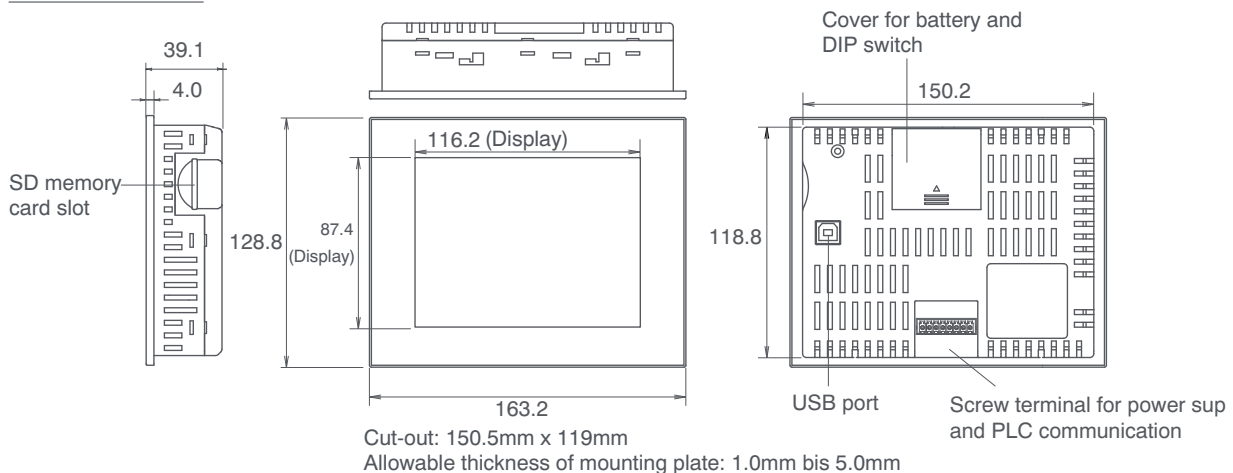
- Highly impervious to dampness, water, vapors, etc.

GT32-E Series

Specifications

Item	GT32M-E		GT32T-E	
	RS232C	RS422/RS485	RS232C	RS422/RS485
Power supply input	24V DC			
Current consumption	4.8W max.		7.2W max.	
Display	Display device		5.7", TFT monochrome LCD	
	Number of dots		5.7", TFT color LCD display	
	Display color		320 (W) x 240 (H) dots	
	Displayable characters		2 colors (black/white, 16-gradation)	
	Contrast		768 characters (10-point font)	
	Brightness		500:1	
	Backlight		600cd/m ²	
Non-reflecting	White LED			
Interface	RS232C	RS422/RS485	RS232C	RS422/RS485
Data transfer	Interface			
	USB1.1			
Connector		USB type B		
Ambient temperature	-20 to +60°C (-20 to +55°C, when mounted horizontally)			
Ambient humidity	10 to 90% RH (no condensation at 25°C)			
Housing	Silver (front), black (housing)			
Memory capacity	12MB			
UV radiation protection	Available			
Degree of protection	IP67			
Lifetime	50,000 hours (LED)		70,000 hours (LED)	
Part no.	AIG32MQ03DE	AIG32MQ05DE	AIG32TQ03DE	AIG32TQ05DE
Accessories	AIG32810E	GT32T-E/GT32M-E replacement seal for front mounting (pieces: 10)		
	CABMINIUSB5D	Mini USB cable		
	RP-SDN04GE1A	4GB SDHC card class 2		
	AFPXBATTJ	Backup battery		

Dimensions



You can find further information on our homepage: www.panasonic-electric-works.com

Panasonic Electric Works Europe AG • Rudolf-Diesel-Ring 2 • 83607 Holzkirchen • Tel.: +49 (0) 8024 648-0